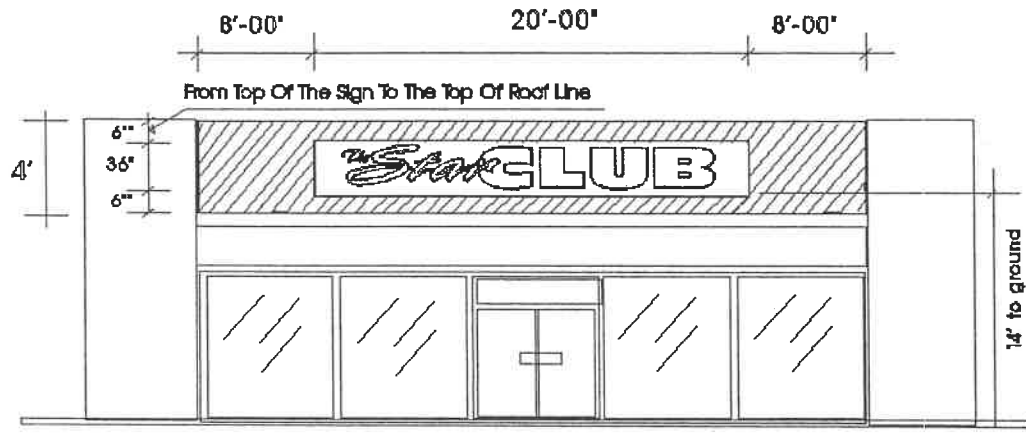
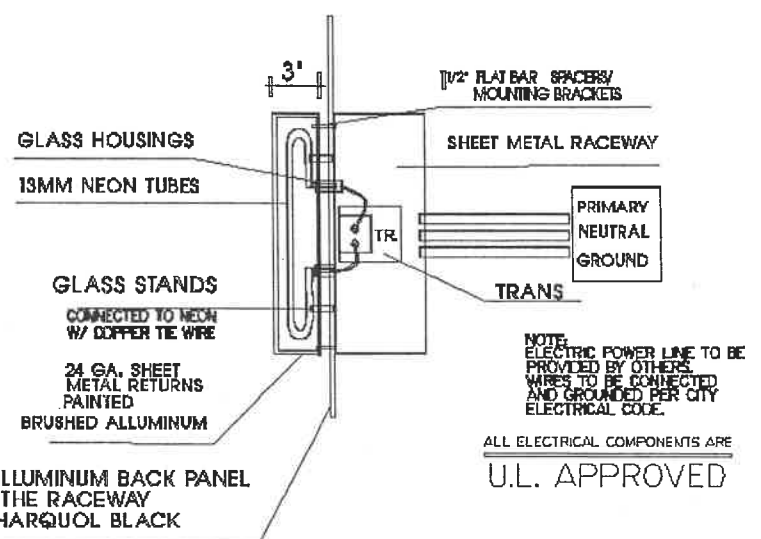


EXAMPLE OF ELEVATION, SECTION, AND PLAN

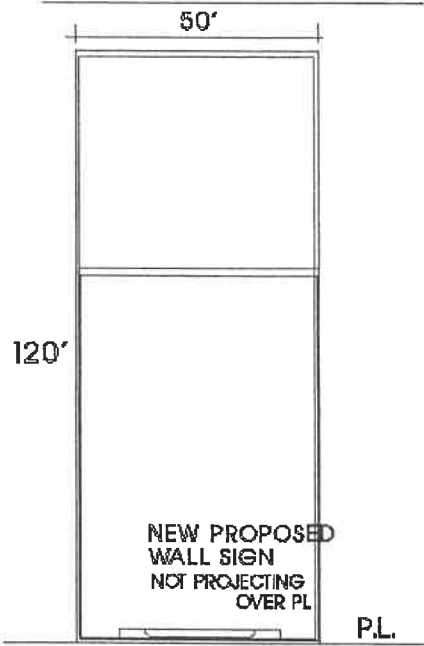


Total Sign Background Area Is 156sq.ft.
Total Sign Area Is 60 Sq.ft.

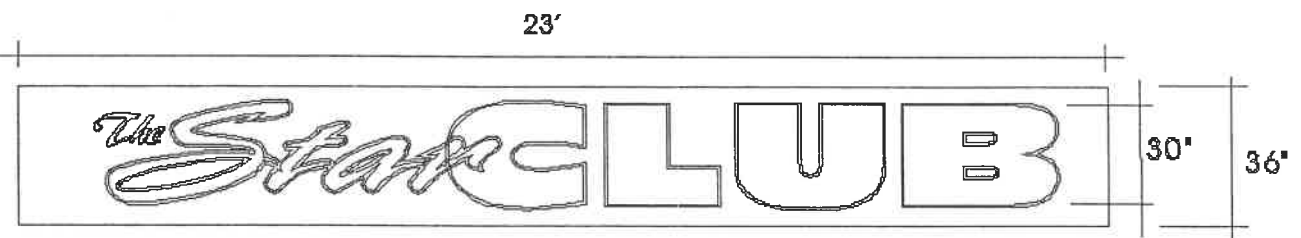
REVERSE CHANNEL LETTERS ATTACHMENT METHOD



ALLEY



4031 SEPULVEDA BLVD.



BRUSHED ALUMINUM PAINTED REVERSE CHANNEL LETTERS ON RACEWAY USED: 13MM. TURQUOISE NEON TUBES CHARCOAL BLACK PAINTED SHEET METAL RACEWAY